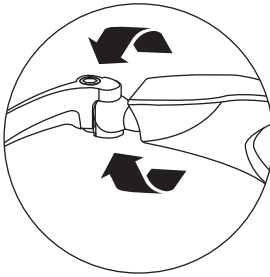
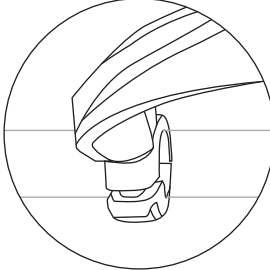
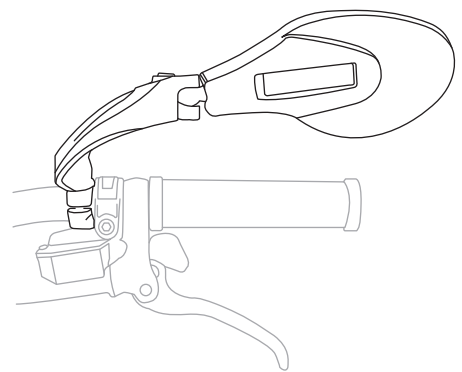
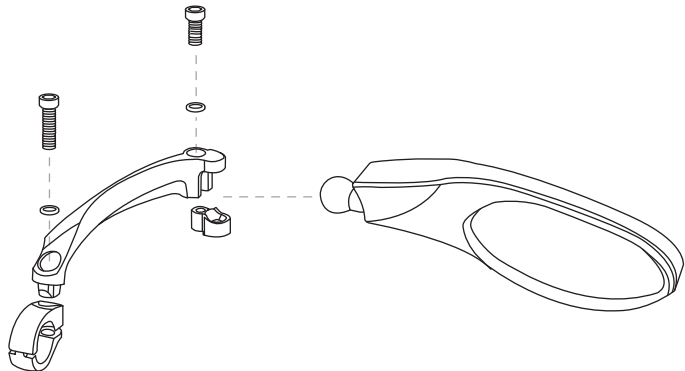


**VISION**  
T-MR01

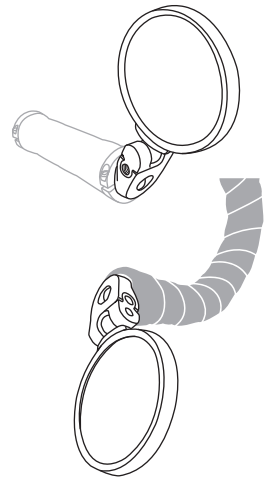
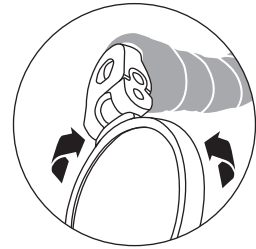
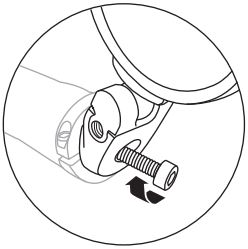
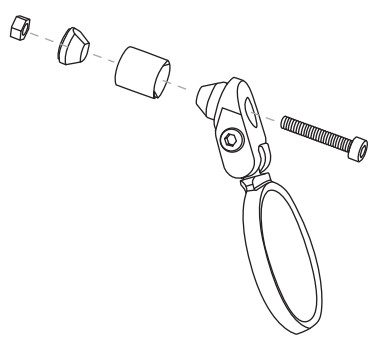


1. Screw tight to secure the mirror.
2. Adjust the view angle without tool while needed.



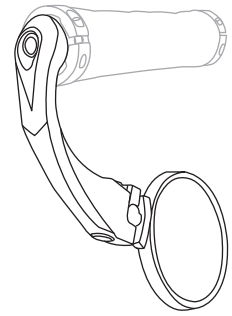
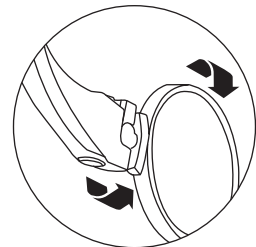
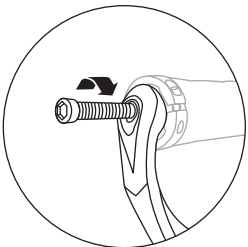
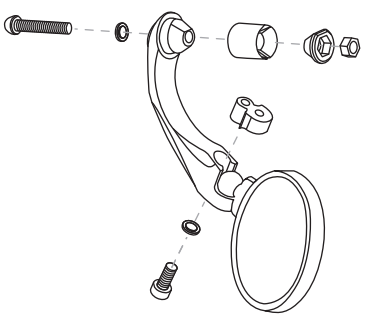
1. Assemble on handlebar with clamp.

**VISION-2**  
T-MR02



1. Screw tight to secure the mirror.
2. Adjust the view angle without tool while needed.

**VISION-3**  
T-MR03



Screw tight to fix on the end of handlebar.